

Assembly Instructions for raised Bed Planter

Contents

Fixings

- (1) 16 x 60mm Woodscrews
- (2) 8 x 50mm Woodscrews for
for Base Optional Extra

Components

- (A) 4 x Side Walls
- (B) 4 x Capping Trim
- (C) 1x Base Optional Extra

Tools Required

- X-Blade Screwdriver
- 2mm Drill & Bit (Recommended)

Before you start

- It will take two people to assemble this product
- Check to make sure you have all of the parts listed above. If not call our helpline
- Assemble in a clear, level area.
- Only tighten fully when all components are aligned in place
- Always sight on firm level ground
- It is recommended that pre-drilling of holes for all screws is done using a small 2mm wood drill.

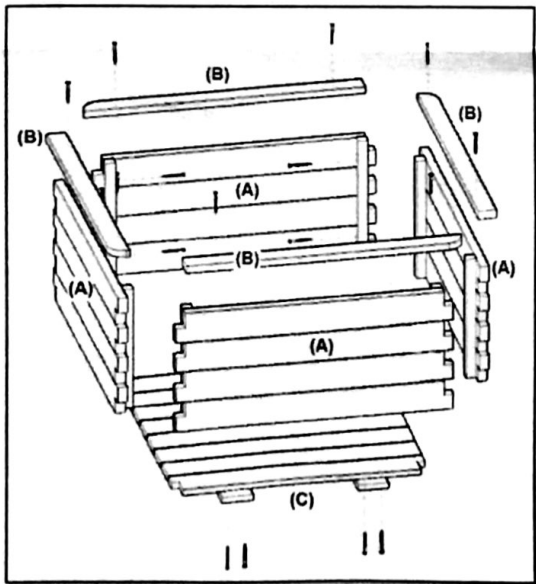


Diagram 1

Interlock Walls (A) to form a square planter and fit together using 8 x screws (1) (2 pcs per corner). Fit Capping Trim (B) using 8 x screws (1) ensuring internal face is flush with planter body and rounded corner outermost.

Planter Base – Optional Extra. Invert the planter and fix the base (C) using 8 x screws (2) (2 pcs per bearer).

Care and Maintenance

Your new garden furniture is a natural timber product. In order that you may prolong the life of this product, we recommend that you follow the general care and maintenance advice below.

The timber used in the Devon Range furniture is pressure treated in accordance with BS 8417:2011 to provide protection against bio deterioration in end use situations. It is possible that under some environmental conditions that a surface mould may develop, should this happen clean off with mild soapy water.

All fixings to be checked for tightness and signs of deterioration at the beginning of each season and on a regular basis.

We recommend that this product is positioned on firm level ground. If necessary the product can be firmly fixed to the ground by using a proprietary ground anchor.

Product should be checked regularly, and re-coated with a suitable topcoat finish when required. If accidental damage occurs, lightly sand and re-coat with a suitable water based wood preservative. Product can be cleaned periodically with a mild soapy detergent.

This is a natural product and therefore colour may vary slightly from piece to piece.

As a natural product it is possible that knots can work loose and sometimes fall out, also resin leakage and small cracks can appear on the woods surface. Should this happen, clean of resin, ensure any sharp edges are sanded smooth and recoat.

Products should be given suitable protection from adverse weather conditions, particularly during the winter months.

Please retain these instructions for future reference and use.