

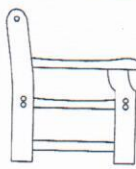

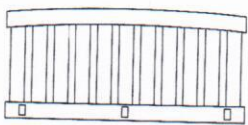


Assembly Instructions for Devon Deluxe 3 Seater Wood Bench

Fixings supplied

Ref	Description	Illustration	Qty
1	Zinc Plated Allen Bolts ø8 x L 100mm		10
2	Zinc Woodscrew L 50mm		3

Parts supplied

Ref	Description	Illustration	Qty
A	Left & Right Side Hand Assemblies		2
B	Seat Assembly		1
C	Back Assembly		1

Tools Required

- Allen Key (Supplied)
- Pozi blade screwdriver

Before you start

- Check the fixings pack and make sure you have all of the parts listed above. If not call our helpline
- Use cardboard packaging to protect surfaces during assembly
- Only tighten fully when all components are aligned in place
- Always sight on firm level ground

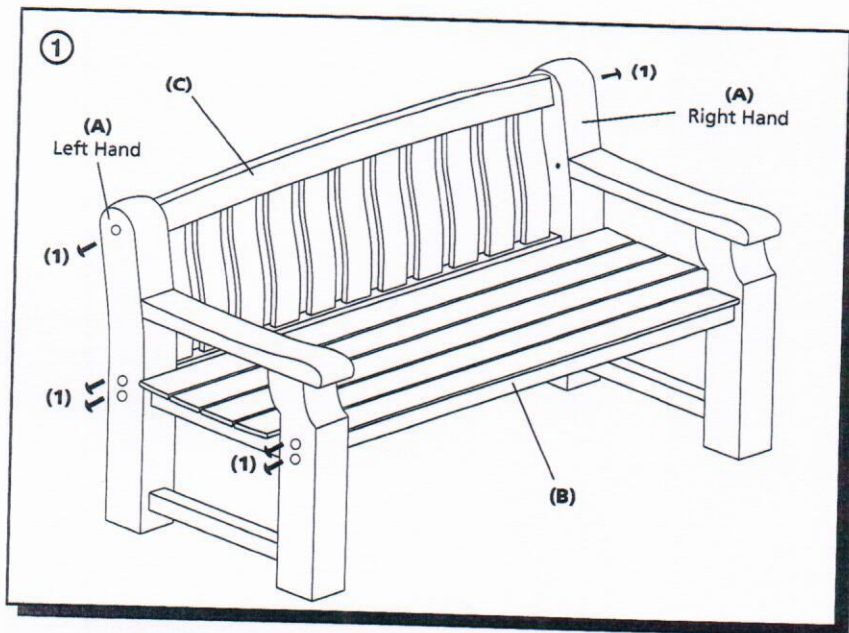


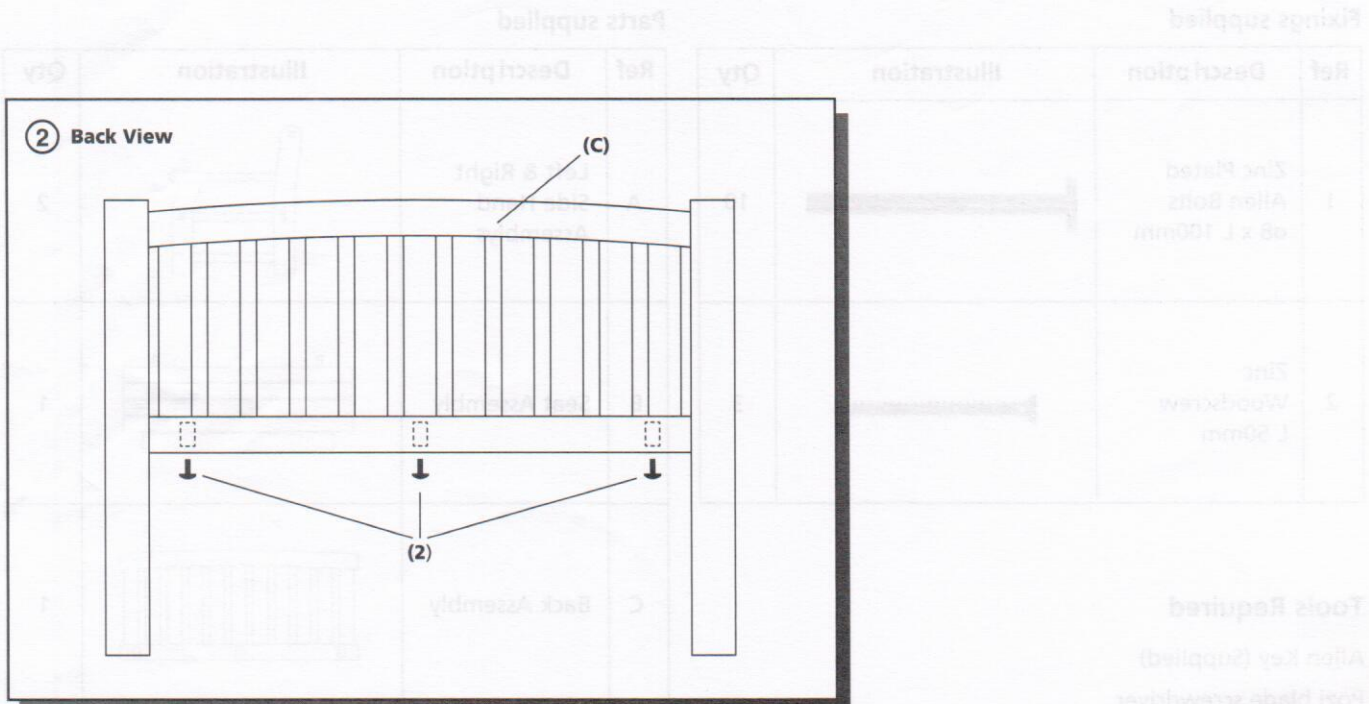
Diagram 1

Fit seat assembly (B) to side assemblies (A) using 4 x fixings (1).

Note: Left hand assembly and right hand assembly are identified by the small punch holes and these should be placed on the inside.

Fit back assembly (C) to side assemblies (A) using 6 x fixings (1) aligning holes in back (C) and tenons in seat (B) and fix to back using 3 x fixings (2) (as diagram 2).

Devon Deluxe 3 Seater Wood Bench Assembly Instructions



Care and Maintenance

Your new garden furniture is a natural timber product. In order that you may prolong the life of this product, we recommend that you follow the general care and maintenance advice below.

The timber used in this Devon Range furniture is pressure treated in accordance with BS 8417:2011 to provide protection against biodeterioration in end use situations. It is possible that under some environmental conditions that a surface mould may develop, should this happen clean off with mild soapy water.

All fixings to be checked for tightness and signs of deterioration at the beginning of each season and on a regular basis.

We recommend that this product is positioned on firm level ground. If necessary the product can be firmly fixed to the ground by using a proprietary ground anchor.

Product should be checked regularly, and re-coated with a suitable topcoat finish when required. If accidental damage occurs, lightly sand and re-coat with a suitable water based wood preservative. Product can be cleaned periodically with a **mild** soapy detergent.

This is a natural product and therefore colour may vary slightly from piece to piece.

As a natural product it is possible that knots can work loose and sometimes fall out, also resin leakage and small cracks can appear on the woods surface. Should this happen, clean of resin, ensure any sharp edges are sanded smooth and recoat.

Products should be given suitable protection from adverse weather conditions, particularly during the winter months.

Please retain these instructions for future reference and use.