



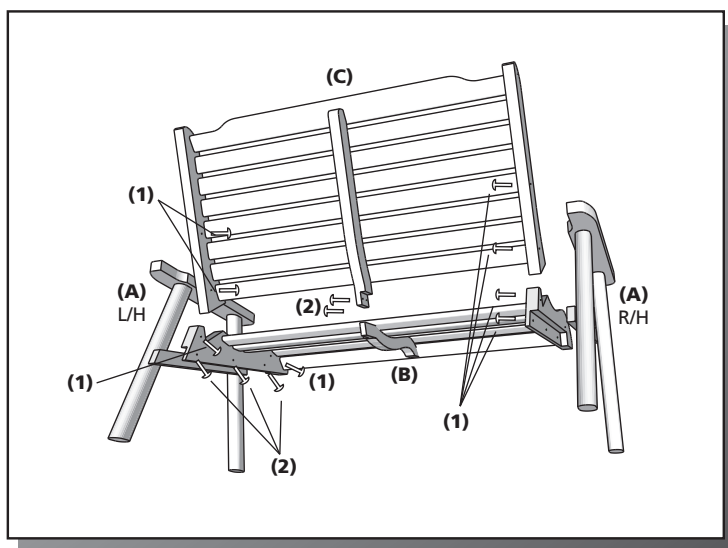
# Assembly Instructions for Padstow Benches and Seating Range

## Contents

Fixings	Components	Tools Required
(1) 8 x 70mm Woodscrews	(A) 2 x Arms L/H & R/H	13mm Socket or Box Spanner
(2) 8 x 30mm Woodscrews	(B) 1 x Seat Assembly	Pozi Drive Screwdriver
	(C) 1 x Seat Back Assembly	

### Before you start

- It will take **two** people to assemble this product
- Check to make sure you have all of the parts listed above. If not call our helpline
- Assemble in a clear, level area.
- Only tighten fully when all components are aligned in place
- Always site on firm level ground



### Steps

Fix seat assembly (B) to arm assembly (A) using 2 x fixings (1) and 3 x fixings (2). Repeat for second arm.

Fit seat back assembly (C) to arms (A) using 4 x fixings (1) and to seat assembly (B) using 2 x fixings (2).

**Note:** Fixing the seat and back using 2 x fixings (2) only applies to 2 and 3 seater benches.

## Care and Maintenance

Your new garden furniture is a natural timber product. In order that you may prolong the life of this product, we recommend that you follow the general care and maintenance advice below.

All fixings to be checked for tightness and signs of deterioration at the beginning of each season and on a regular basis.

We recommend that this product is positioned on firm level ground. If necessary the product can be firmly fixed to the ground by using a proprietary ground anchor.

Product should be checked regularly, and re-coated with a suitable topcoat finish when required. If accidental damage occurs, lightly sand and re-coat with a suitable water based wood preservative. Product can be cleaned periodically with a mild soapy detergent.

This is a natural product and therefore colour may vary slightly from piece to piece.

As a natural product it is possible that knots can work loose and sometimes fall out, also resin leakage and small cracks can appear on the woods surface. Should this happen, clean of resin, ensure any sharp edges are sanded smooth and recoat.

Products should be given suitable protection from adverse weather conditions, particularly during the winter months.

Please retain these instructions for future reference and use.



Helpline 01302 761573

Monday to Friday 9am - 5pm

