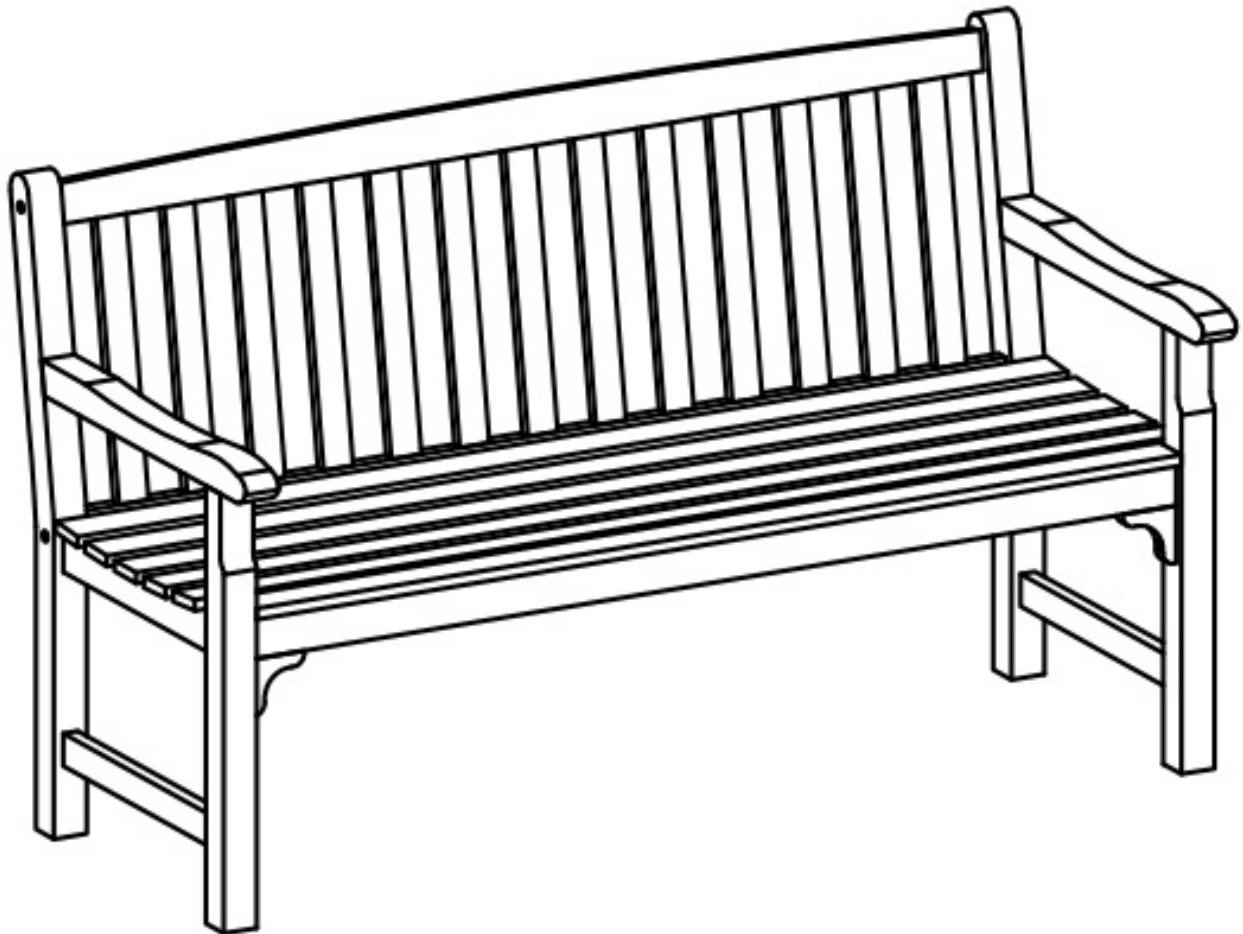




Simply Wood

Congratulations on purchasing your new Bench.
Attached are the instructions to building this Bench.
Please study the instructions carefully before starting.
We hope you enjoy using this Bench.



ASSEMBLY INSTRUCTION

DESCRIPTION: 1.5m x 0.64m Bench

30 Minutes

APPROXIMATE ASSEMBLY TIME

2 PERSON ASSEMBLY



FLOOR AREA
1.7m x 1m

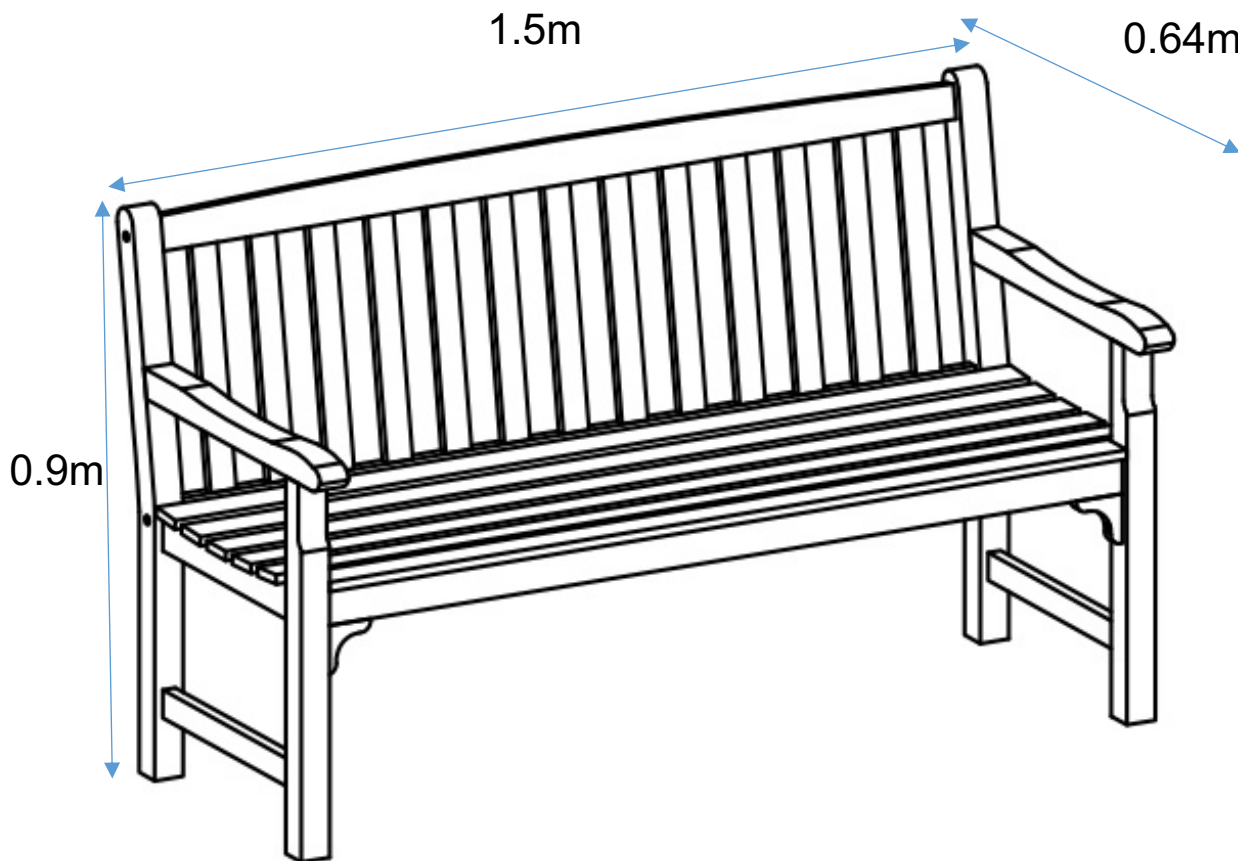


REQUIRED ASSEMBLY SPACE

REQUIRED ASSEMBLY TOOLS (INCLUDED)

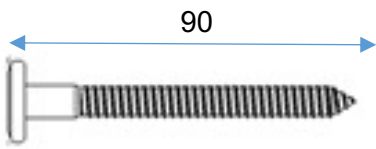


ASSEMBLED DIMENSIONS

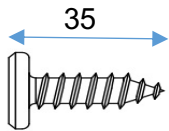


ASSEMBLY INSTRUCTION

DESCRIPTION: 1.5m x 0.64m Bench



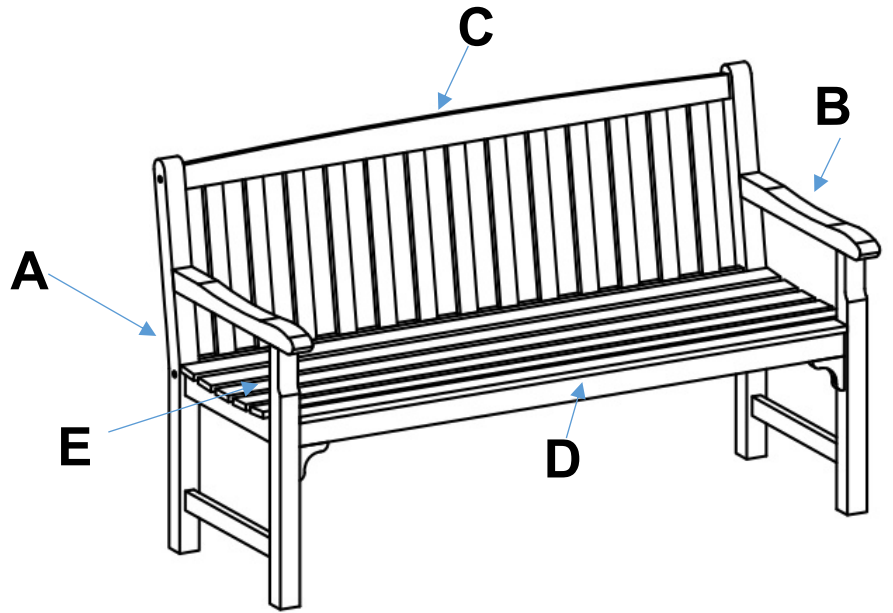
1 X 6PCS



2 X 10PCS



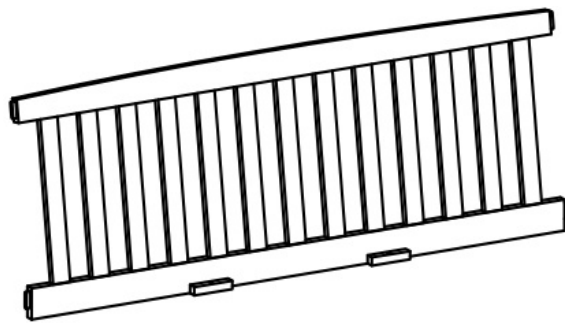
3 X 2PCS



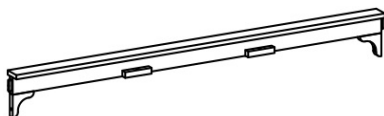
A X 1PC



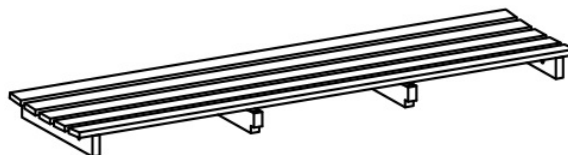
B X 1PC



C X 1PC



D X 1PC



E X 1PC

Top tips before you start!

1. Please check that all parts are present before you start the assembly of your furniture, as once assembled,
The furniture is exempt from our home approval policy.
2. For ease and speed of assembly, we recommend that before you commence each step of the assembly, that you identify all the parts required for that step.
3. For larger items, please ensure that you have sufficient space and people (as indicated on page 1) to assemble your product safely.
4. We recommend that, where possible, all items are assembled near to the area in which they will be placed in use, to avoid moving the product unnecessarily once assembled.
5. During assembly please take care not to over-tighten any fittings, as this may damage the product.

Care and Maintenance of your Furniture

- Please periodically check all fittings and re-tighten as necessary.
- Please do not drag or pull your furniture.
- Wipe occasionally with soft cloth slightly dampened with water. Then buff with a dry clean soft cloth.
- Never allow any kind of liquid to remain on your furniture. Absorption can cause wood to warp or finishes to de-laminate.

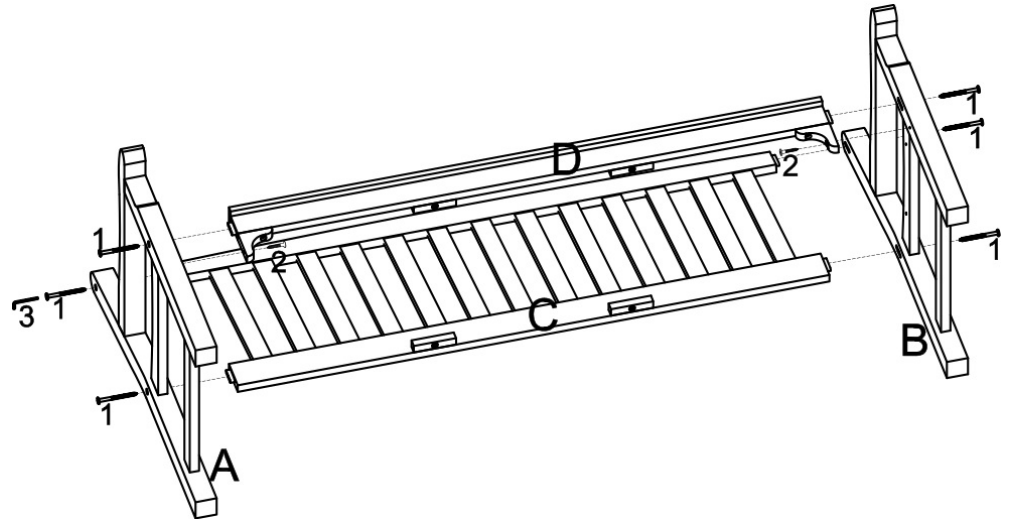


ASSEMBLY INSTRUCTION

DESCRIPTION: 1.5m x 0.64m Bench

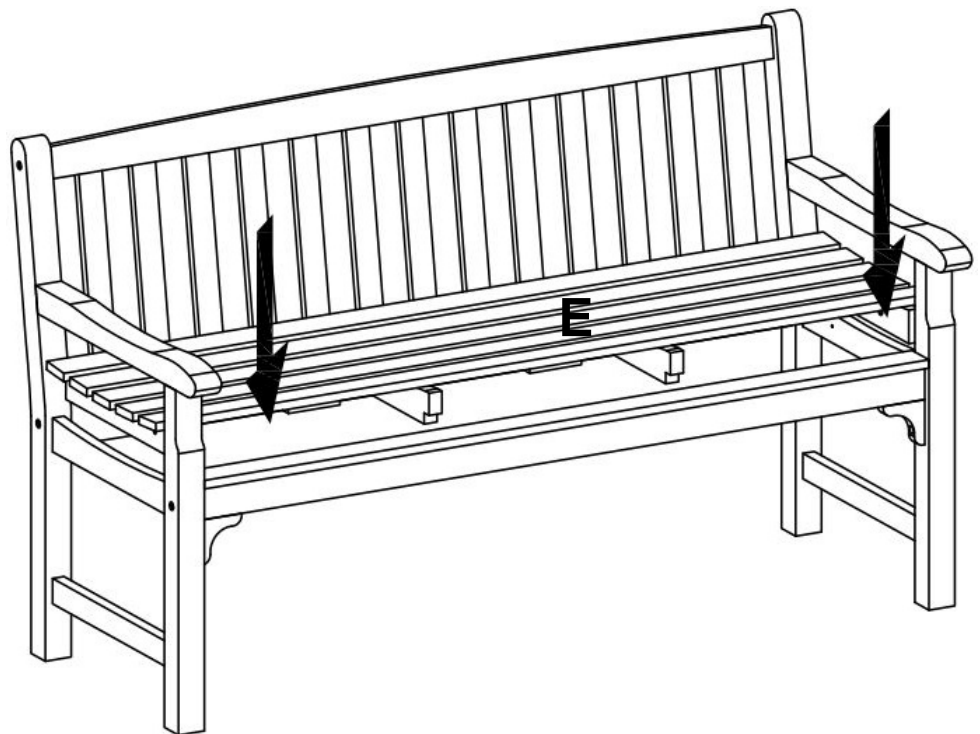
STEP 1

Attach the back (C) and
Stretcher (D) to the
Left leg (A) and
Right leg (B), using
screw (1), screw (2).



STEP 2

Attach the seat (E) to the
Bench as picture.



Simply Wood

ASSEMBLY INSTRUCTION

DESCRIPTION: 1.5m x 0.64m Bench

STEP 3

Using screw (2) attach the seat (E) to the back (C) and stretcher (D).

