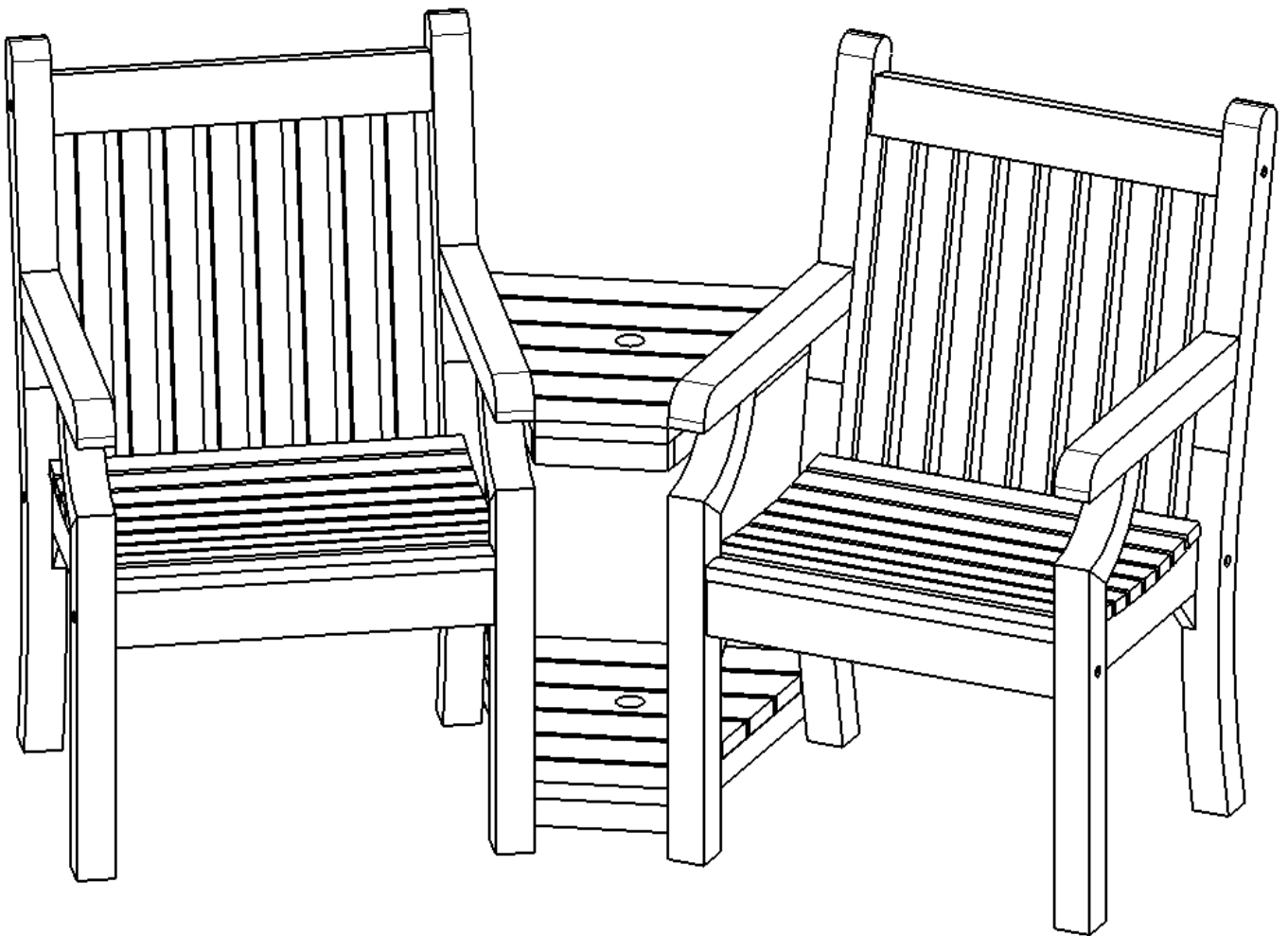


Winawood™

Zero Maintenance Wood Effect Furniture

Users Manual

Winawood Sandwich Thin Slat Love Seat



PLEASE READ THE FOLLOWING INSTRUCTIONS BEFORE ASSEMBLY

Important Information

Please read these instructions carefully and retain for future reference

Please note children should only assist with assembly if supervised by an adult

Before use please ensure that all of the nuts and bolts are screwed tightly

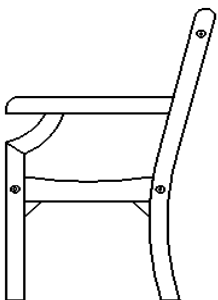
Do not use any cleaning liquid containing benzene on any Winawood products

Maximum weight for each seat: 150kg

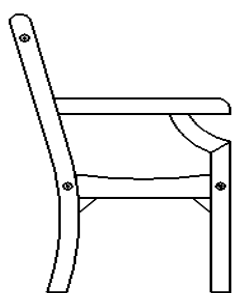
Parts List:

PART NO	NAME	QTY
1	Left Arm	2
2	Right Arm	2
3	Backrest	2
4	Chair Seat	2
5	Front Section	2
6	M8X70mm Bolt	12
7	Allen key	1
8	Rectangular Table	2
9	M8X40mm Bolt	8
10	M4.2X35mm Bolt	8

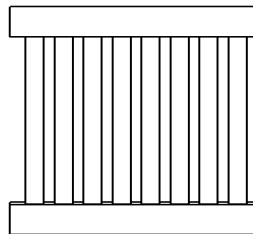
1



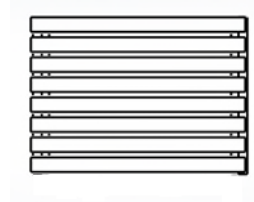
2



3



4



5



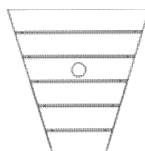
6



7



8



9



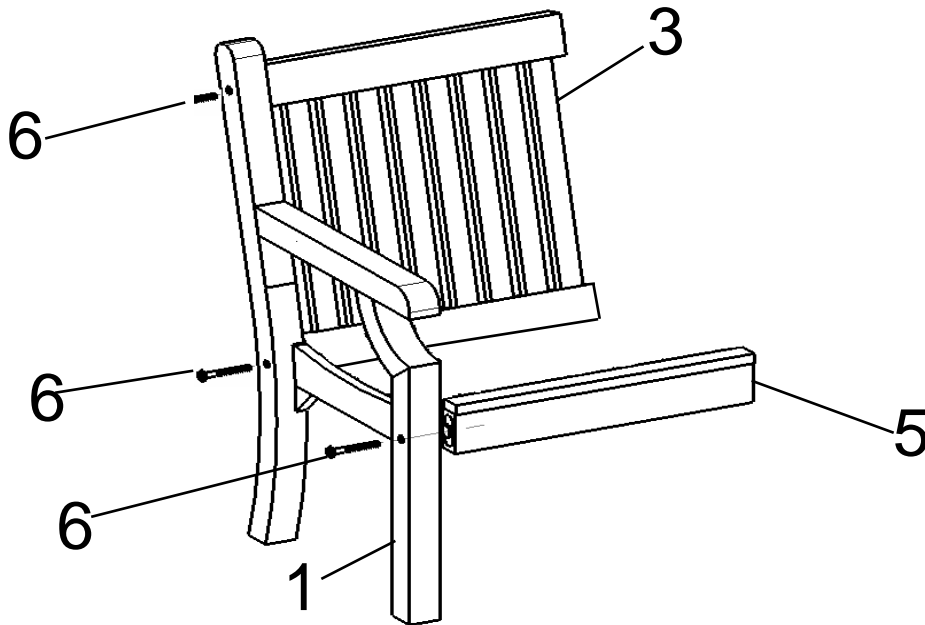
10



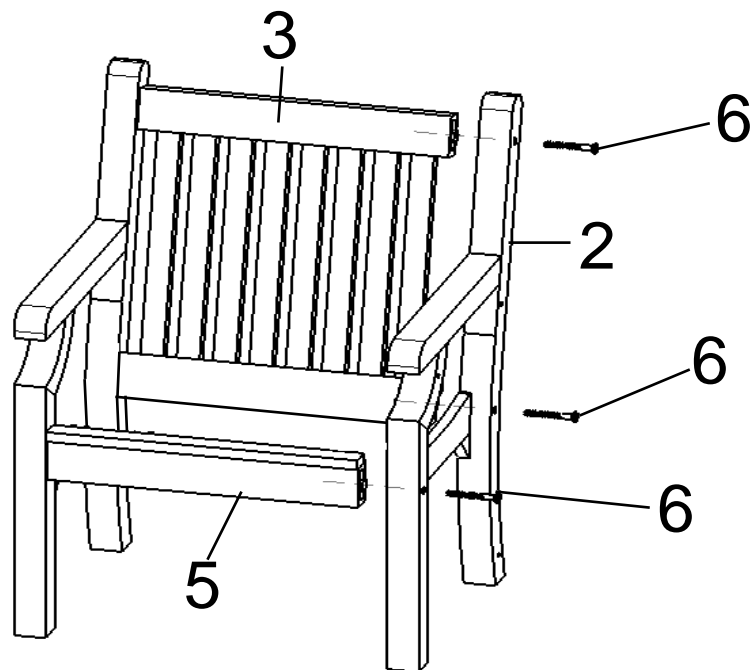
Assembly Instructions:

STEP 1: Check you have the all of the parts according to the part list

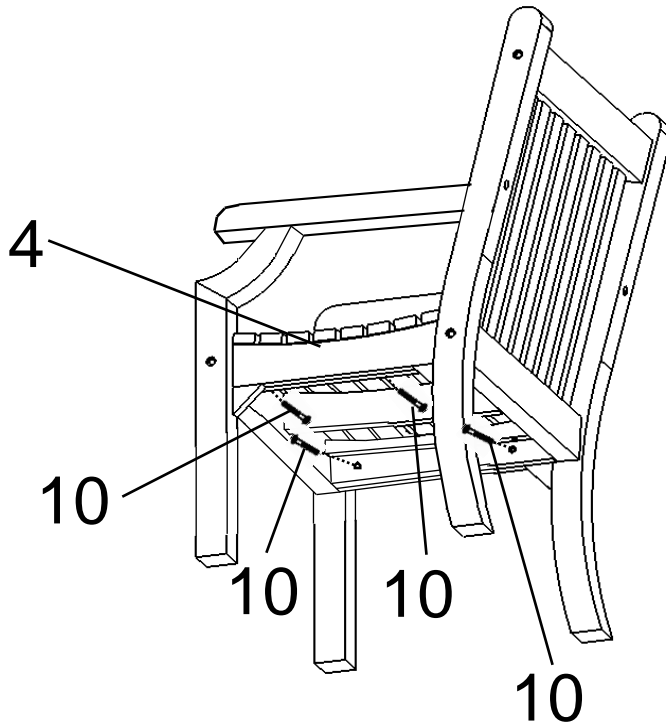
STEP 2: Assemble the back rest (3) with the left arm (1) Tighten with bolts (5) as image below shows



STEP 3: Assemble the chair seat (4) with the left arm (1) and tighten with bolts (5) Assemble the chair arm's reinforcing bar (1) with the chair arm's edge (4) Tighten with bolts (9) as the image below shows.

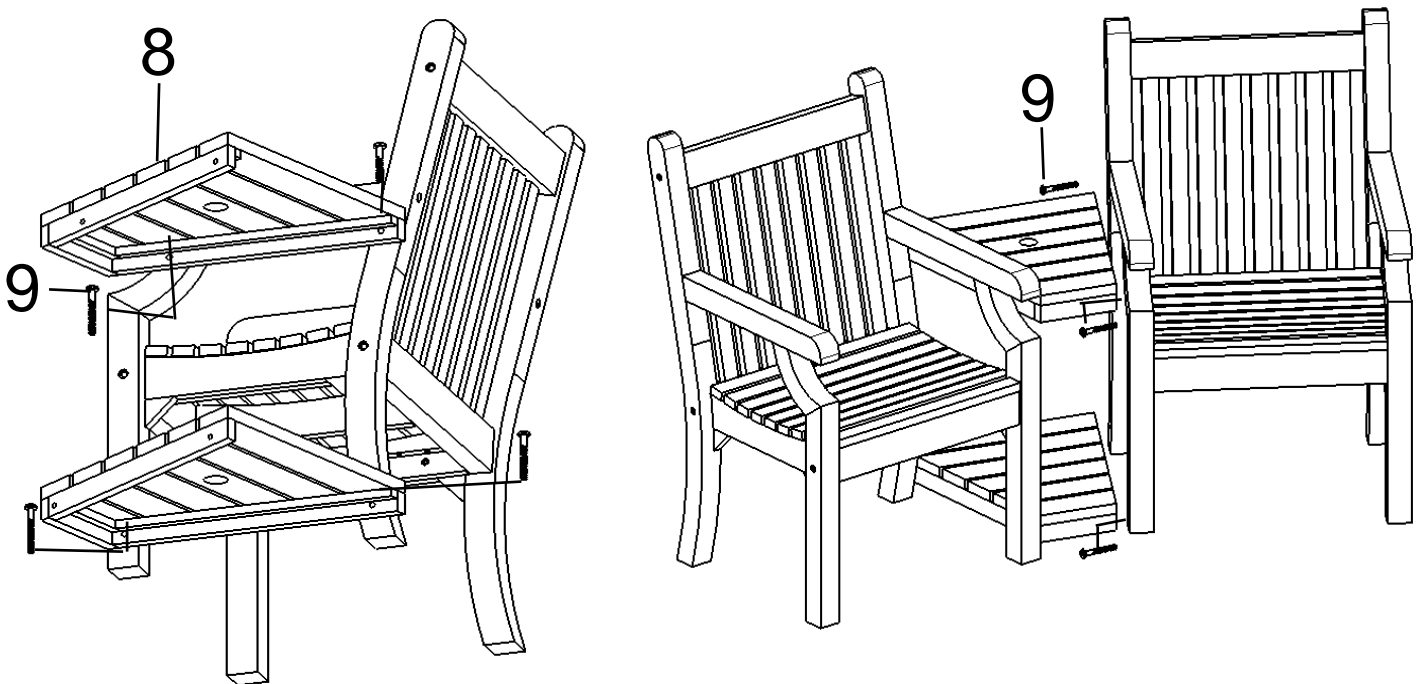


STEP 4: Assemble the right arm (2) to both the back rest (4) and the chair seat (3) then tighten with bolts (5) Assemble the chair arm's reinforcing bar (2) with the chair arm's edge (4) Tighten with bolts (9) as the image below shows.

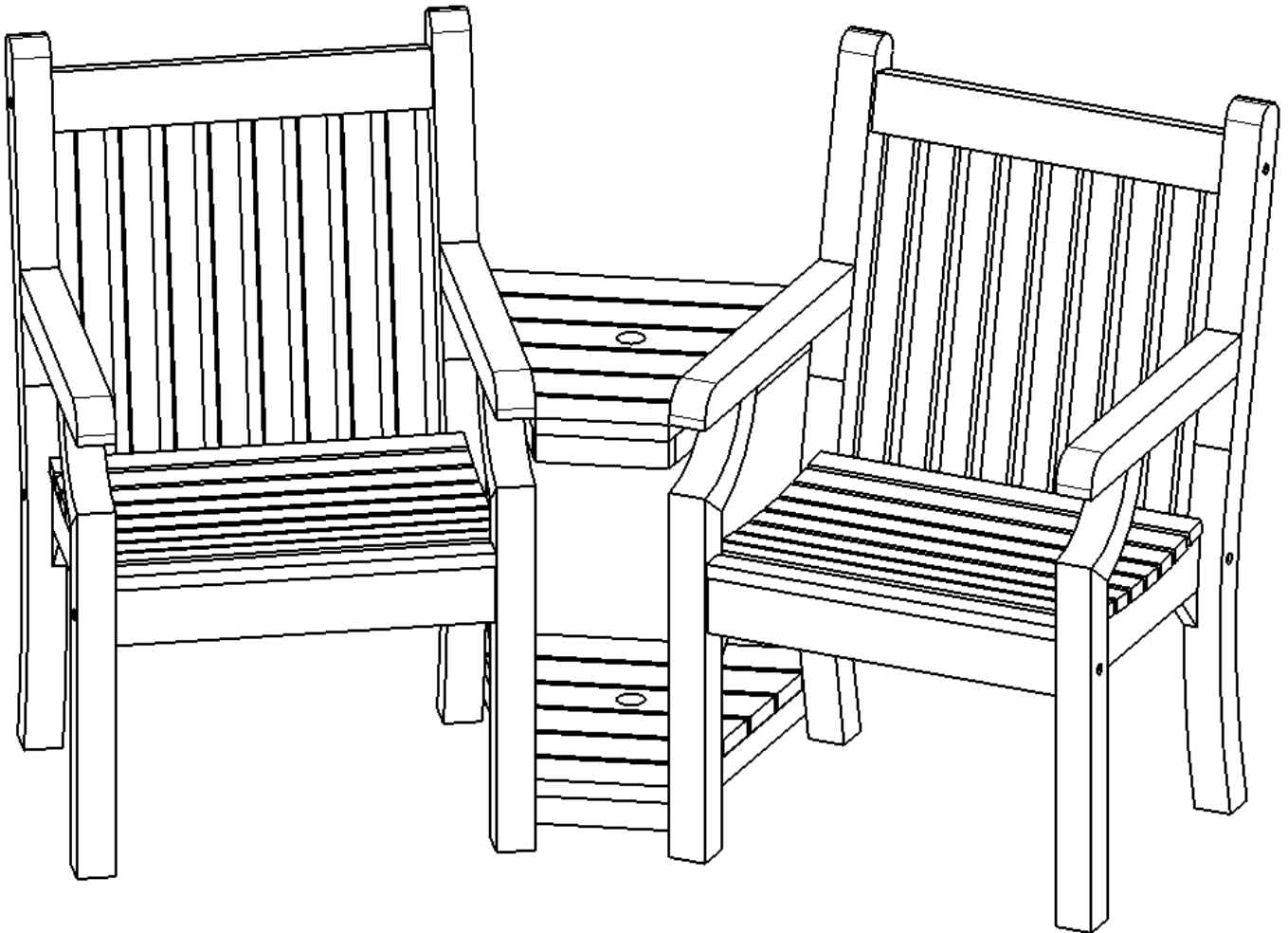


STEP 5: Repeat steps 2 -4 to assemble the other chair

STEP 6: Assemble both the upper and lower rectangular tables (7) at the same time. Assemble one side first then the other side. Tighten the bolts (8) as the image below shows.



STEP 7: Check the love seat is stable and secure after all the bolts have been tightened



Maintenance

Winawood products are designed and manufactured with quality materials and workmanship. With proper use and maintenance they will provide years of use.

After assembly and when in use if you discover any of the following:

- Any bolts that become loose or bent
- Worn out washers
- Worn or bent arm, bench seat or back rest
- The item begins to shake or swing

Stop use immediately and contact your local dealer

Winawood products are easy to maintain and can be cleaned with water.

Do not use any cleaning liquid that contains benzene